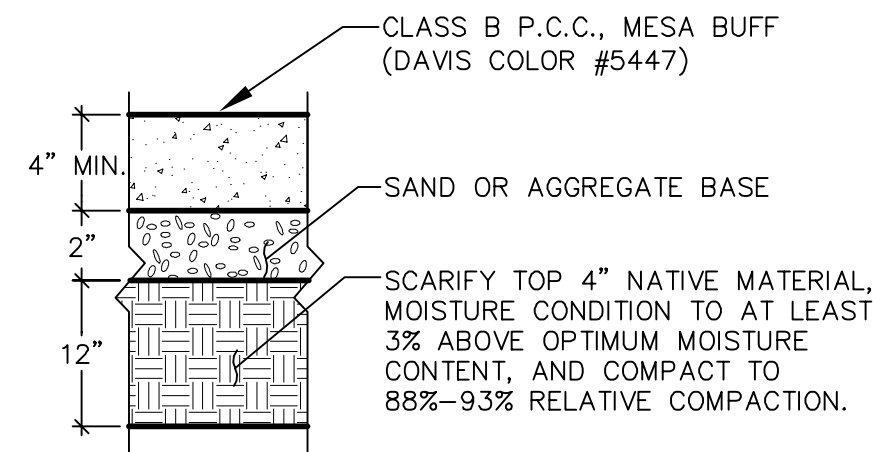


ASPHALT ROAD PAVEMENT SECTION

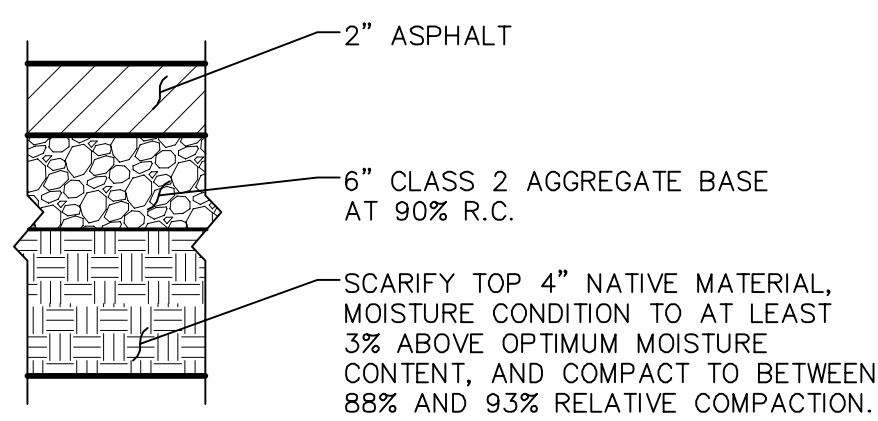
NO SCALE



- NOTES
 1. WEAKENED PLANE JOINTS SHALL BE CONSTRUCTED AT MAXIMUM 12' INTERVALS.
 2. IF SIDEWALK IS NOT INSTALLED MONOLITHICALLY WITH CURB & GUTTER, INSTALL DOWELS IN ACCORDANCE WITH COUNTY STANDARD PLAN ST-4A.

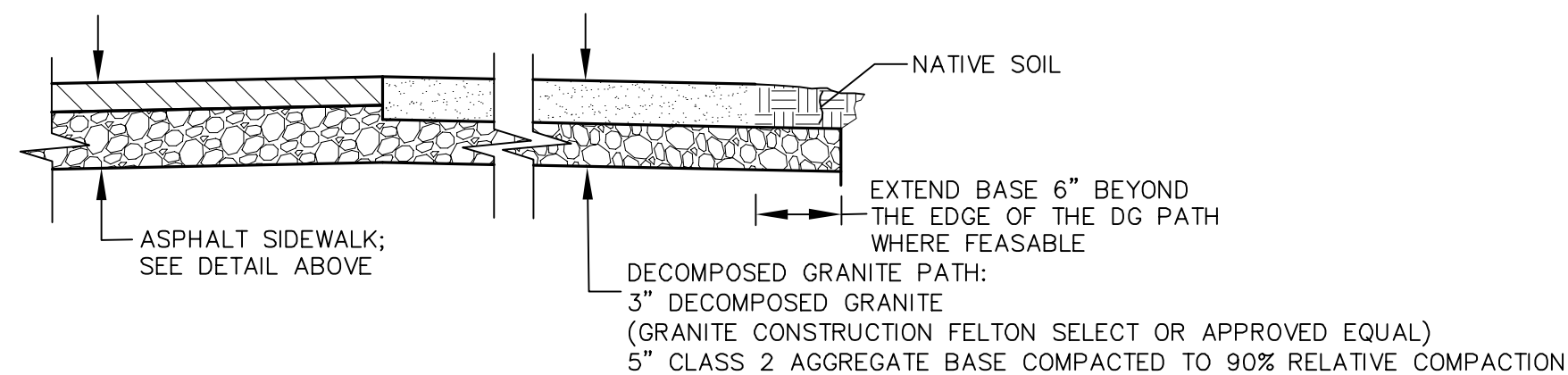
COLORED CONCRETE PAVEMENT SECTION

NO SCALE



ASPHALT SIDEWALK PAVEMENT SECTION

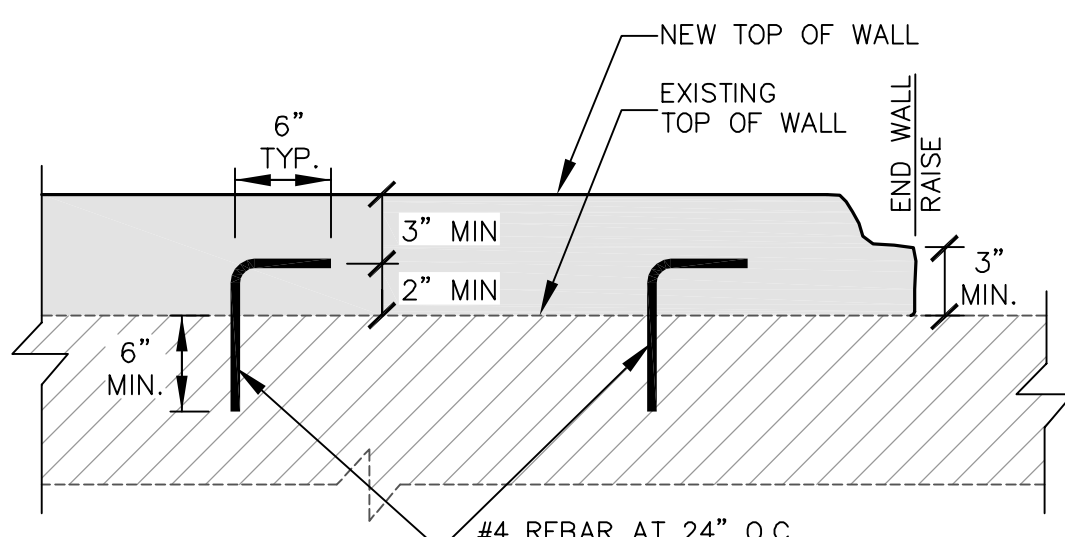
NO SCALE



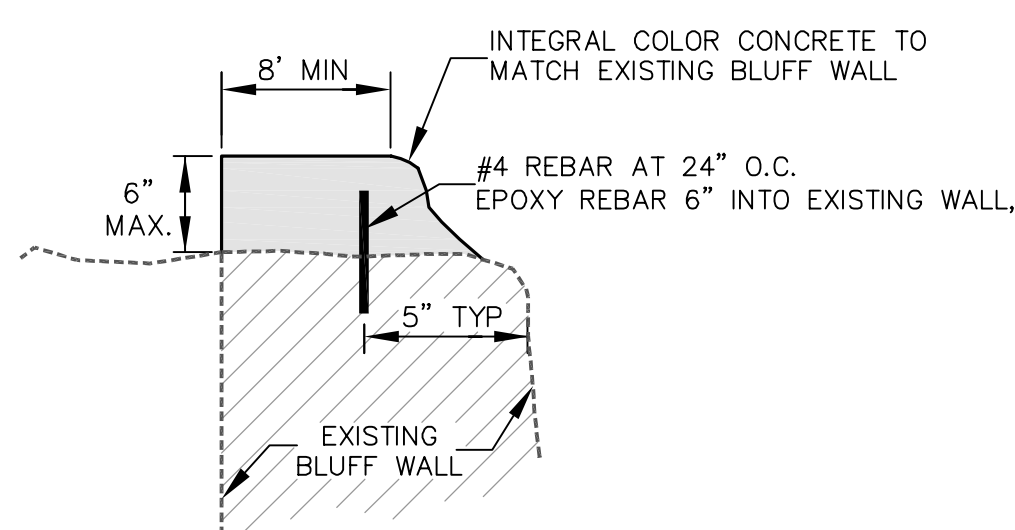
- SUBGRADE PREPARATION NOTE:
 1. SCARIFY TOP 4" NATIVE MATERIAL, MOISTURE CONDITION TO AT LEAST 3% ABOVE OPTIMUM MOISTURE CONTENT, AND COMPACT TO BETWEEN 88% AND 93% RELATIVE COMPACTION.

DG SIDEWALK SECTION

NO SCALE



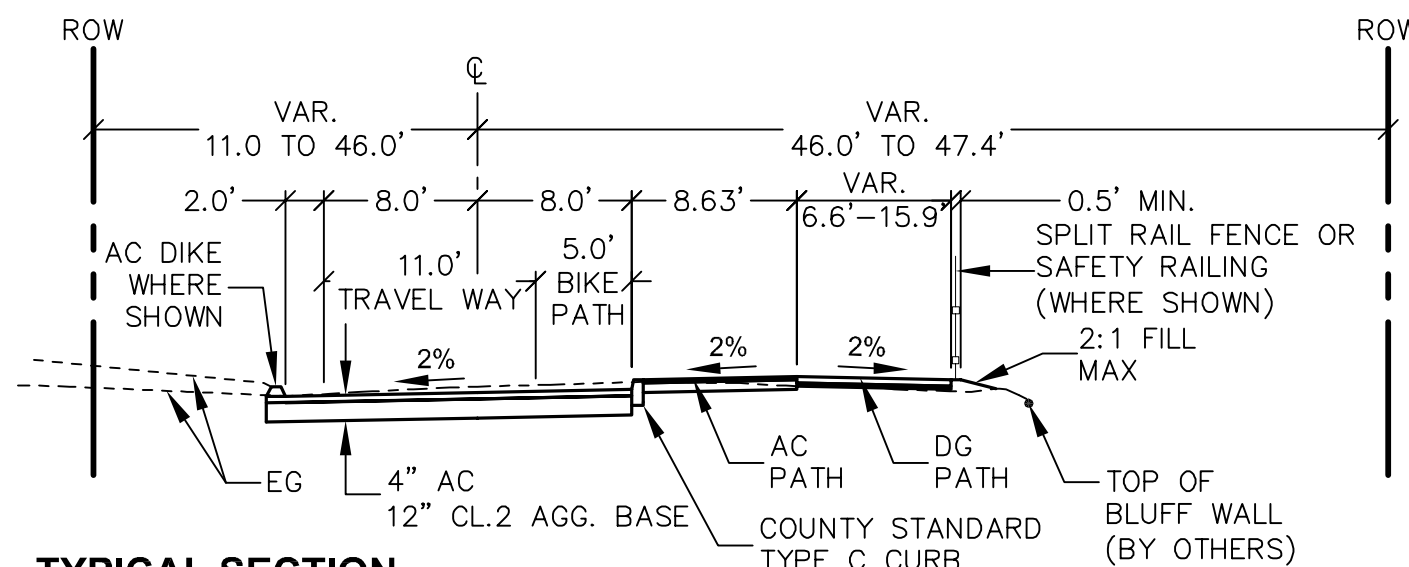
WALL ELEVATION



WALL SECTION

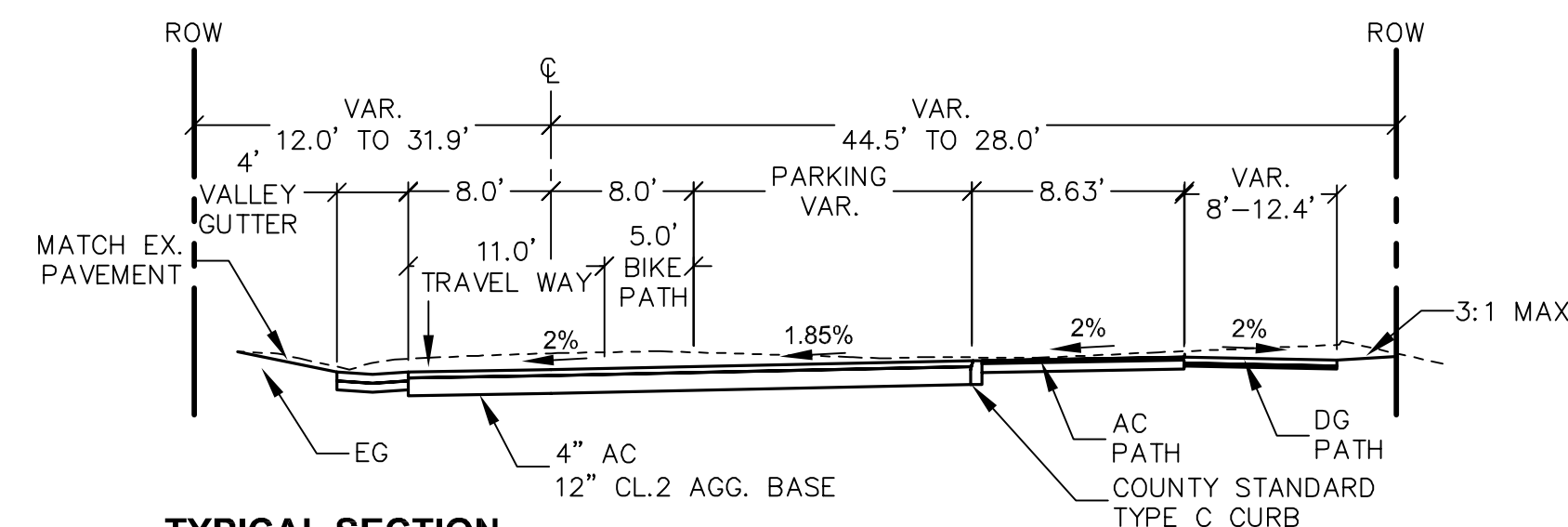
BLUFF WALL RAISE DETAIL

NO SCALE



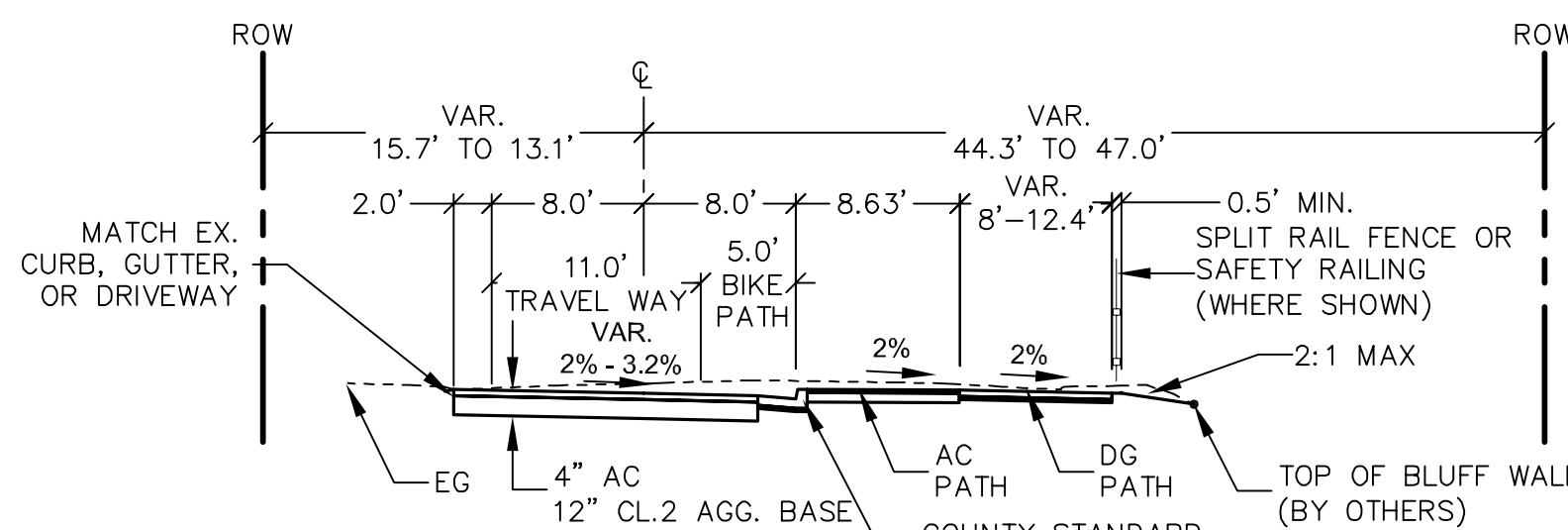
TYPICAL SECTION

STA: 13+40.57 THRU 14+75.62



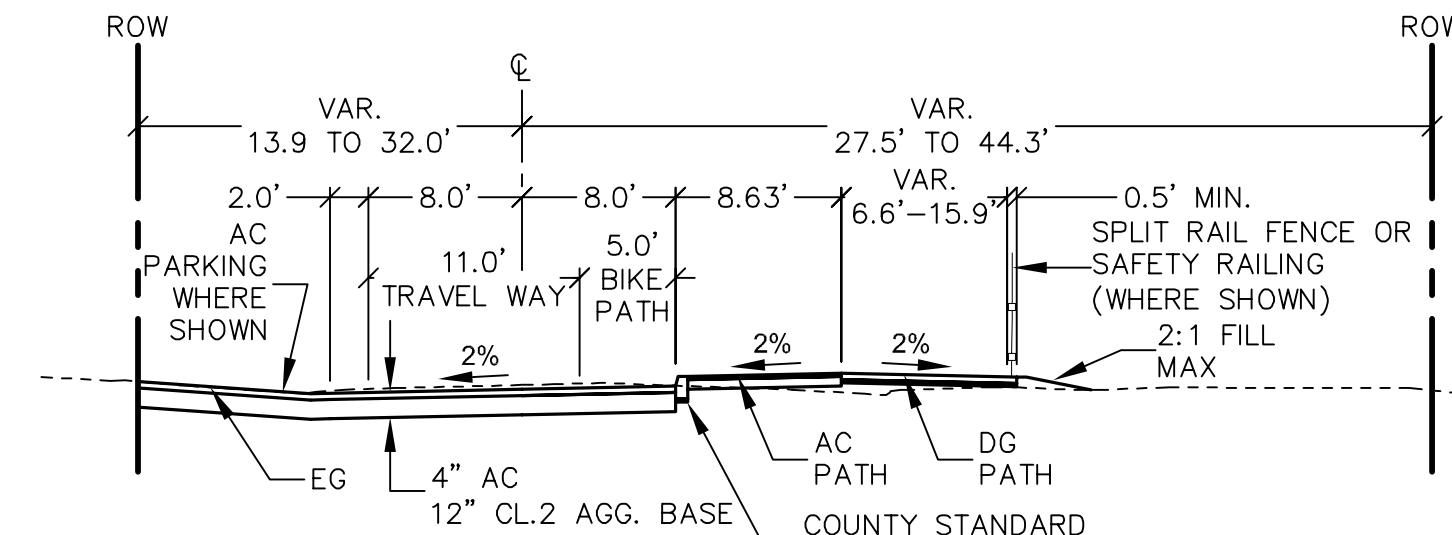
TYPICAL SECTION

STA: 23+57.88 THRU 24+34.93



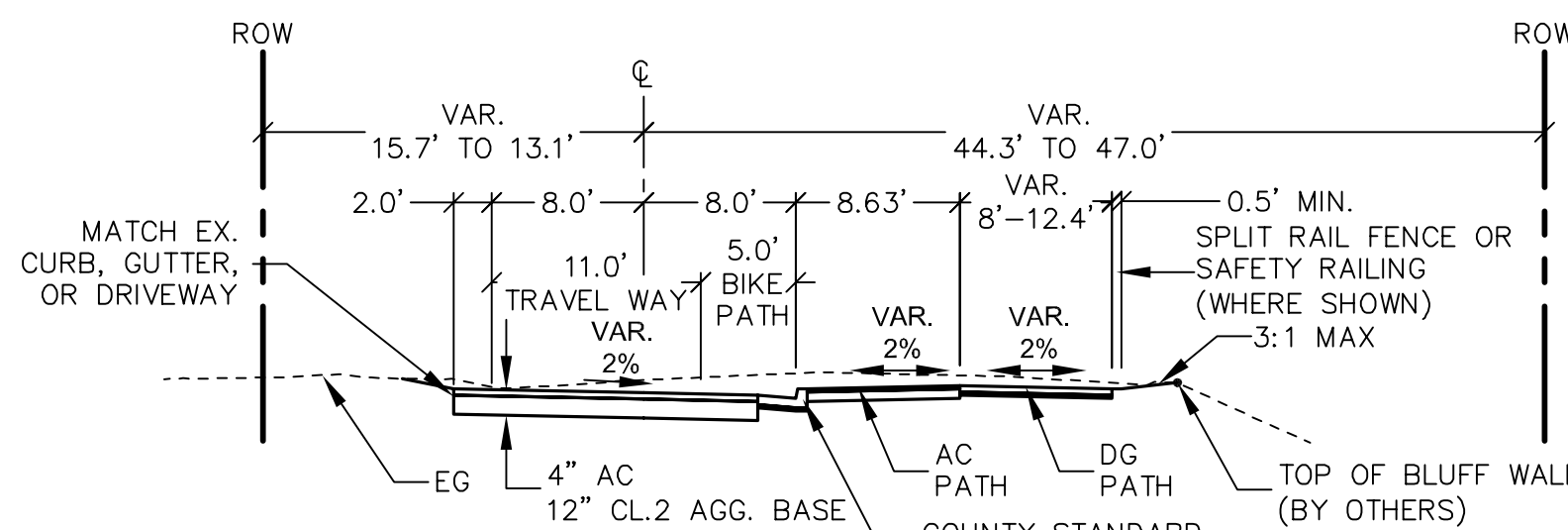
TYPICAL SECTION

STA: 15+91.80 THRU 18+47.65



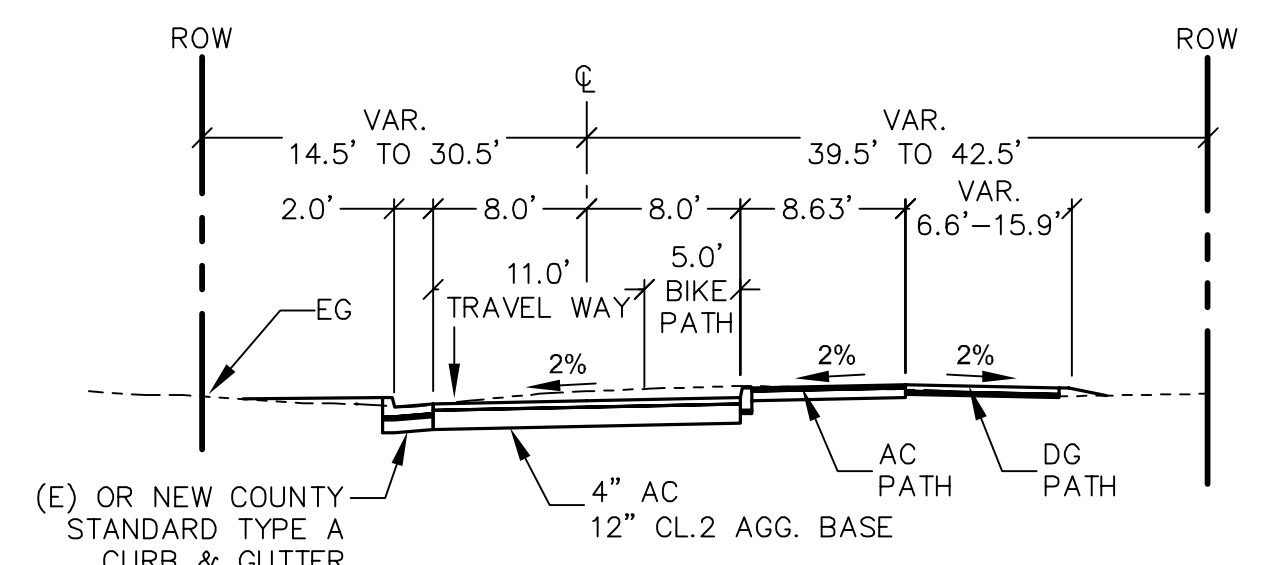
TYPICAL SECTION

STA: 26+43.78 THRU 29+46.61



TYPICAL SECTION

STA: 19+62.56 THRU 21+55.36

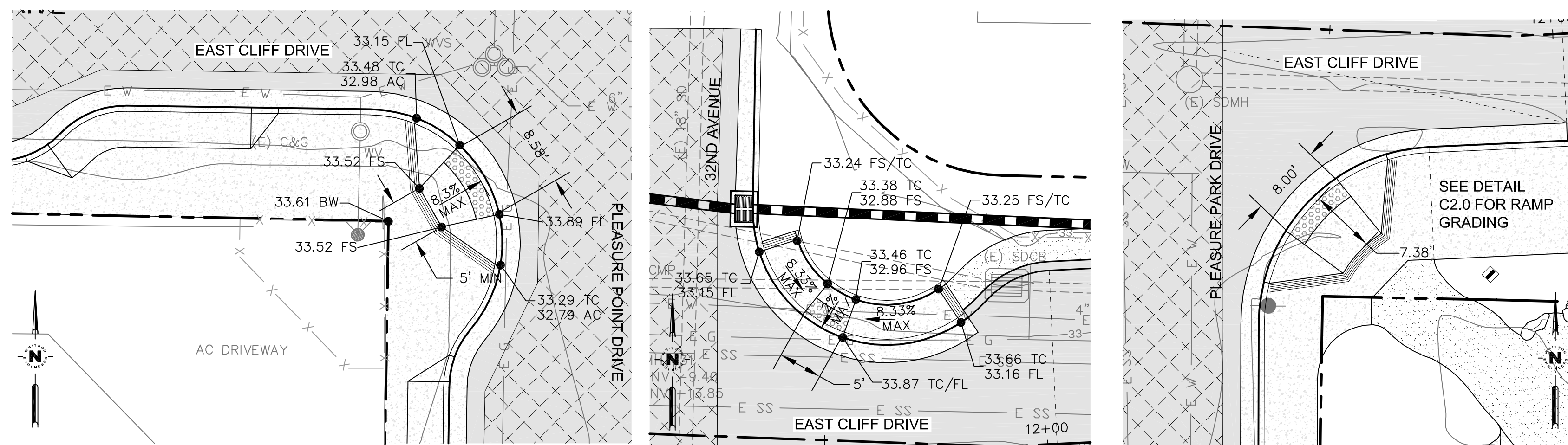


TYPICAL SECTION

STA: 32+54.24 THRU 33+51 & STA: 34+63.14 THRU 38+15.53

TYPICAL ROAD SECTIONS

NO SCALE



CURB RAMP DETAILS

SCALE: 1" = 10'



REV	DATE	DESCRIPTION
1	03/22/10	75% SUBMITTAL
2	10/08/10	95% SUBMITTAL
3	07/12/11	BID SET

DATE: SEPTEMBER 2010
 SCALE: AS NOTED
 DESIGNED BY: MS/RT
 DRAFTED BY: RT/SG
 CHECKED BY: KW
 JOB NO.: 2280.01
 FILE: Civil Plan.dwg